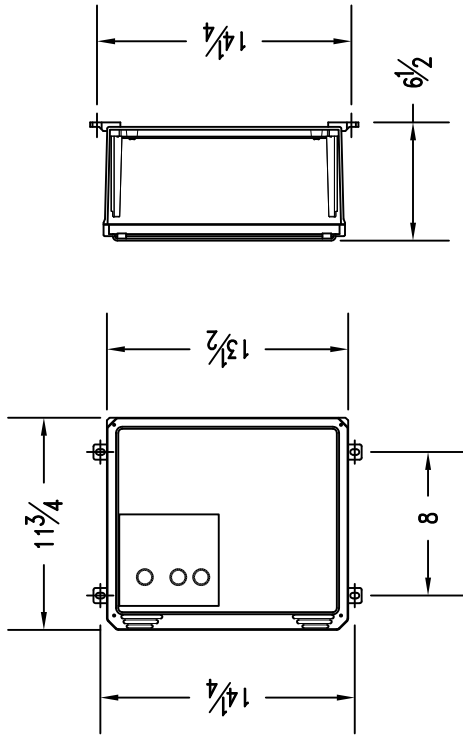
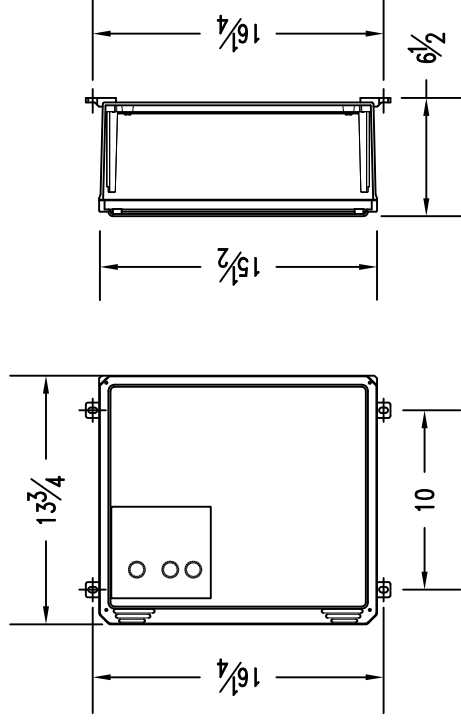


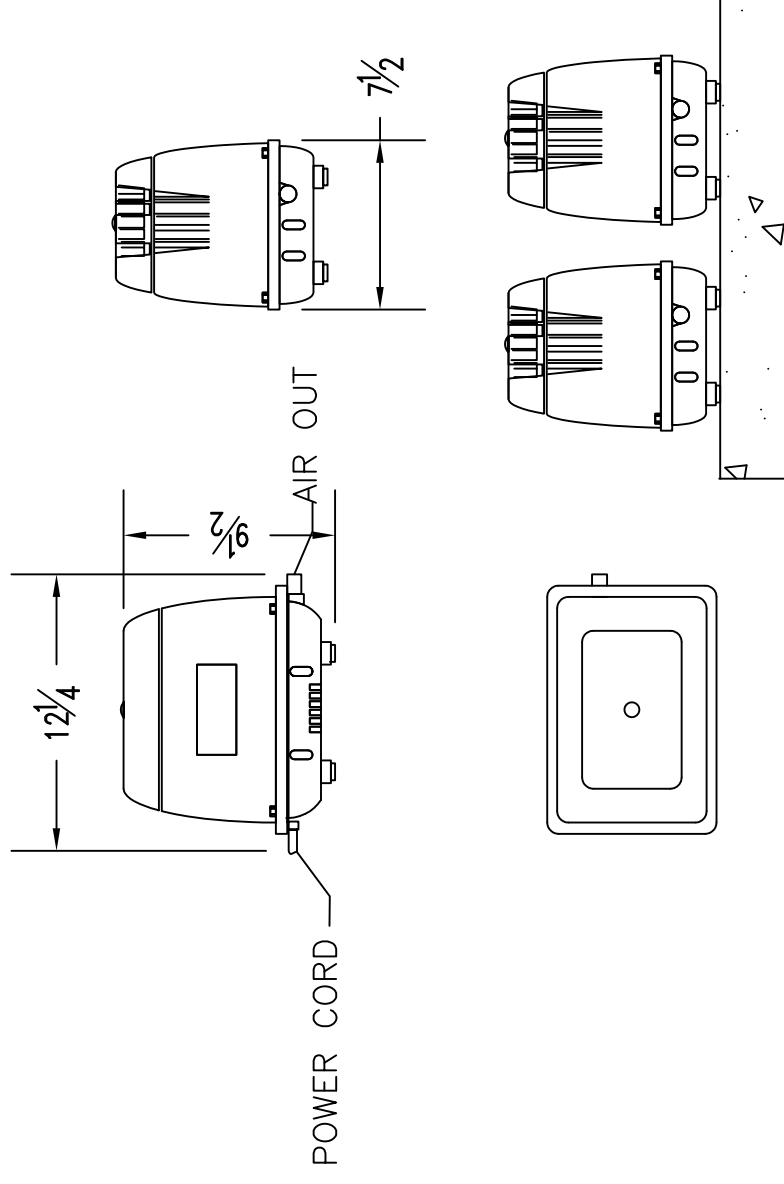
STANDARD CONTROLLER
(NO PUMP/REMOTE PUMP RELAYS)



LARGE CONTROLLER
(INTERNAL PUMP RELAYS)



AIR COMPRESSOR



1. COMPRESSORS SHOULD BE LOCATED IN A WELL-VENTILATED SHADY PLACE.
2. AN INDOOR LOCATION LIKE A SHED OR GARAGE IS IDEAL. COMPRESSORS MUST BE ELEVATED OFF THE GROUND SO THAT SURFACE WATER CANNOT ENTER THE ELECTRICAL TERMINALS WITHIN THE COMPRESSOR.
3. COMPRESSORS SHOULD BE LOCATED AS CLOSE TO THE TANK AS POSSIBLE. DO NOT EXCEED 50' DISTANCE FROM TANK.
4. 1" SCH 80 PVC PIPE IS REQUIRED FOR PLUMBING THE COMPRESSOR(S) TO THE MIDDLE RISER; ONE PIPE PER COMPRESSOR.
5. THE PIPE MUST FALL TOWARD THE TANK WITH NO LOW POINTS.
6. COMPRESSORS MUST BE LOCATED AT THE SAME ELEVATION OR HIGHER THAN THE LID OF THE MIDDLE RISER.



Structural Engineer:

AQX
ENGINEERING INC.
1520 BROOKHOLLOW, SUITE 45
SANTA ANA, CA 92705
OFF. (714) 662-0510
FAX. (714) 662-0559
WWW.AQXENGINEERING.COM



ADY PREPARED THIS SET OF PLANS FOR THE STRUCTURAL ELEMENTS OF THE CONCRETE SLAB AND CONCRETE ANCHOR BEAM. SEE MANUFACTURE SPECIFICATIONS FOR PROPERTIES AND STRENGTHS OF THE SEPTIC TANK AND ASSOCIATED PARTS.

DRAWN BY: EBY JOB NO. 2010-001 DATE: MARCH 15, 2010
REVIEWED BY: BMM

REVISION:	DATE:	DESCRIPTION:

SITE INFORMATION:

ES 25
SEPTIC TANK DESIGN

SHEET TITLE:

**CONTROLLER &
COMPRESSOR DETAIL**

SHEET NUMBER:

IN25-02

SCALE 1/15

ANCHOR BEAM DETAILS

2



Structural Engineer:

AQX
ENGINEERING INC.
 1520 BROOKHOLLOW, SUITE 45
 SANTA ANA, CA 92705
 OFF. (714) 662-0510
 FAX. (714) 662-0559
 WWW.AQXENGINEERING.COM



ADVISE PREPARED THIS SET OF PLANS FOR THE STRUCTURAL ELEMENTS OF THE CONCRETE SLAB AND CONCRETE ANCHOR BEAM. SEE MANUFACTURE SPECIFICATIONS FOR PROPERTIES AND STRENGTHS OF THE SEPTIC TANK AND ASSOCIATED PARTS.

DRAWN BY: **EW** JOB NO. **2010-001** DATE: **MARCH 15, 2010**
 REVIEWED BY: **BM**

REVISION:	DATE:	DESCRIPTION:

SITE INFORMATION:

ES 25
SEPTIC TANK DESIGN

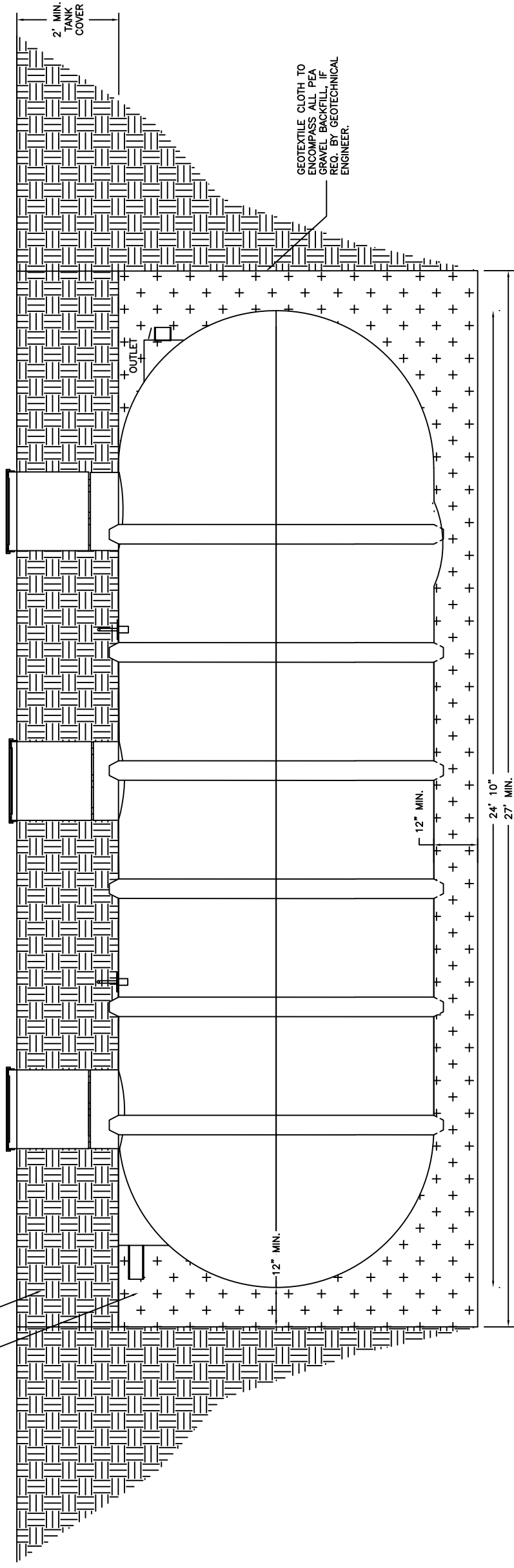
SHEET TITLE:

INSTALLATION DRAWING
NON TRAFFIC

SHEET NUMBER:

IN25-03

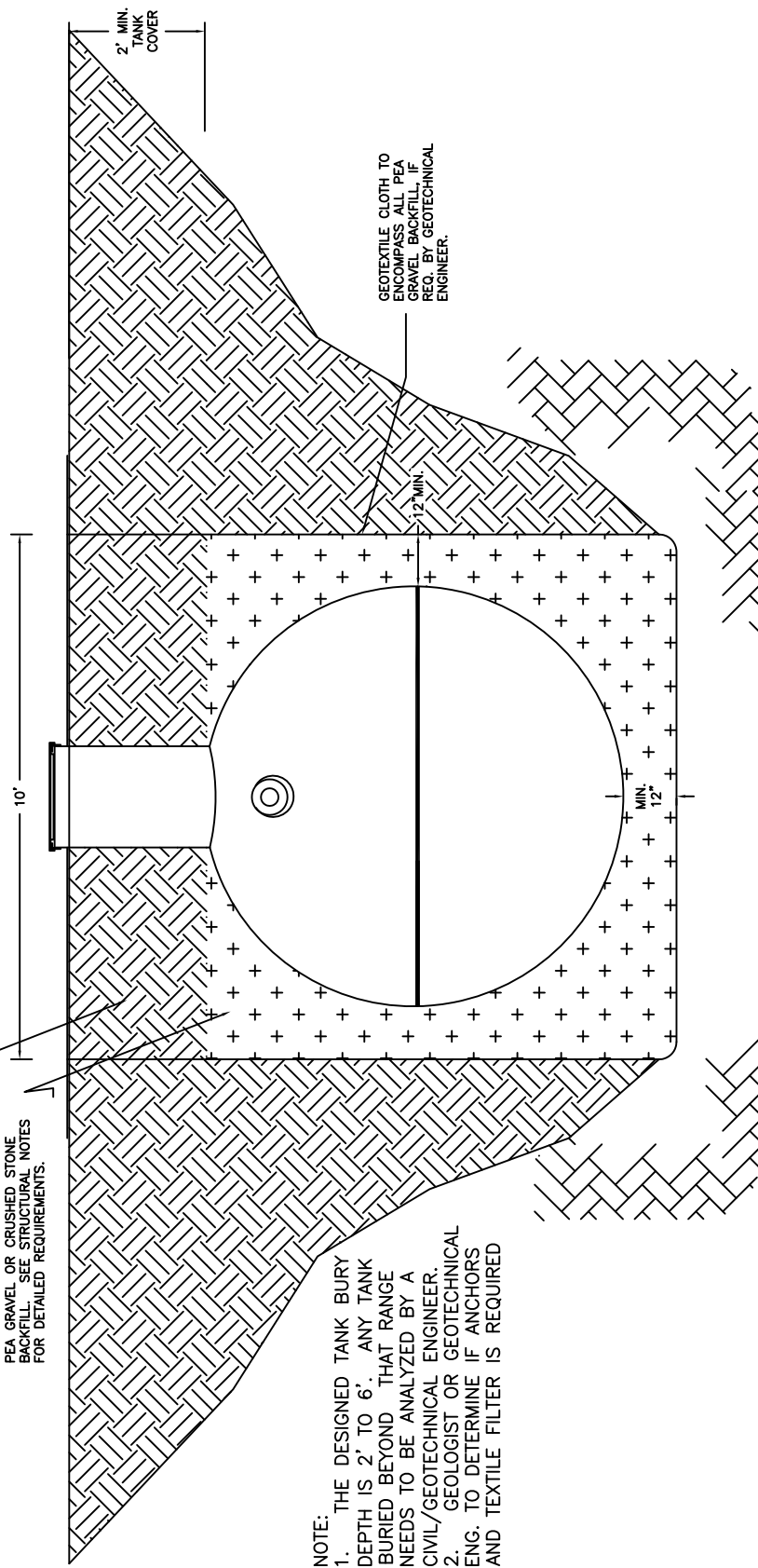
NATIVE SOIL MAY BE USED TO BACKFILL ABOVE THE TANK. TYP.
 PEA GRAVEL OR CRUSHED STONE BACKFILL. SEE STRUCTURAL NOTES FOR DETAILED REQUIREMENTS.



TANK INSTALLATION LAYOUT (ELEVATION VIEW)

SCALE 1/16 1

NATIVE SOIL MAY BE USED TO BACKFILL ABOVE THE TANK. TYP.
 PEA GRAVEL OR CRUSHED STONE BACKFILL. SEE STRUCTURAL NOTES FOR DETAILED REQUIREMENTS.



NOTE:
 1. THE DESIGNED TANK BURY DEPTH IS 2' TO 6'. ANY TANK BURIED BEYOND THAT RANGE NEEDS TO BE ANALYZED BY A CIVIL/GEOTECHNICAL ENGINEER.
 2. GEOLOGIST OR GEOTECHNICAL ENG. TO DETERMINE IF ANCHORS AND TEXTILE FILTER IS REQUIRED

TANK INSTALLATION LAYOUT (TRANSVERSE VIEW)

SCALE 1/16 2



Structural Engineer:

AQX
ENGINEERING INC.
1520 BROOKHOLLOW, SUITE 45
SANTA ANA, CA 92705
OFF. (714) 662-0510
FAX. (714) 662-0559
WWW.AQXENGINEERING.COM



ADV. PREPARED THIS SET OF PLANS FOR THE STRUCTURAL ELEMENTS OF THE CONCRETE SLAB AND CONCRETE ANCHOR BEAM. SEE MANUFACTURE SPECIFICATIONS FOR PROPERTIES AND STRENGTHS OF THE SEPTIC TANK AND ASSOCIATED PARTS.

DRAWN BY: **EDW** JOB NO. **2010-001** DATE: **MARCH 15, 2010**

REVIEWED BY: **RMH**

REVISION:		DATE:	DESCRIPTION:

SITE INFORMATION:

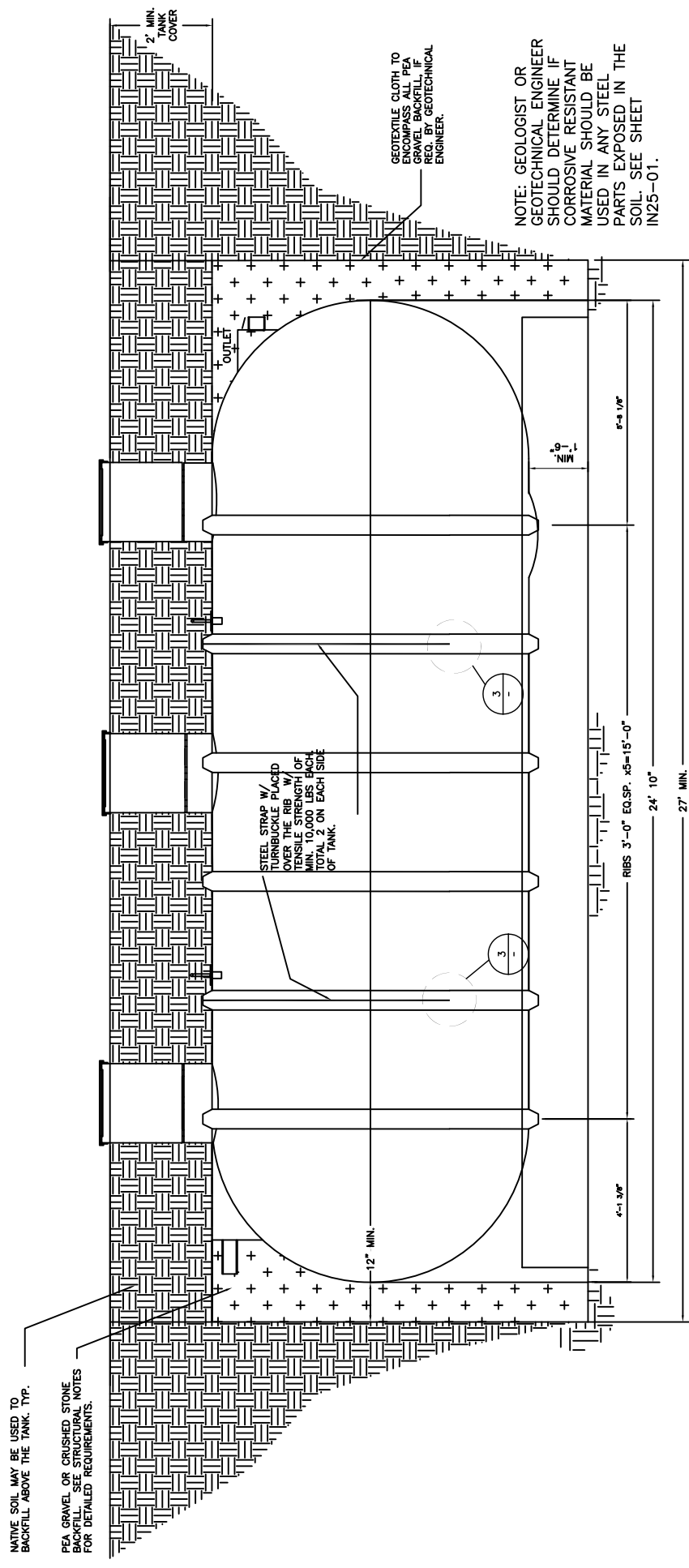
ES 25
SEPTIC TANK DESIGN

SHEET TITLE:

INSTALLATION DRAWING
NON TRAFFIC W ANCHORS

SHEET NUMBER:

IN25-04

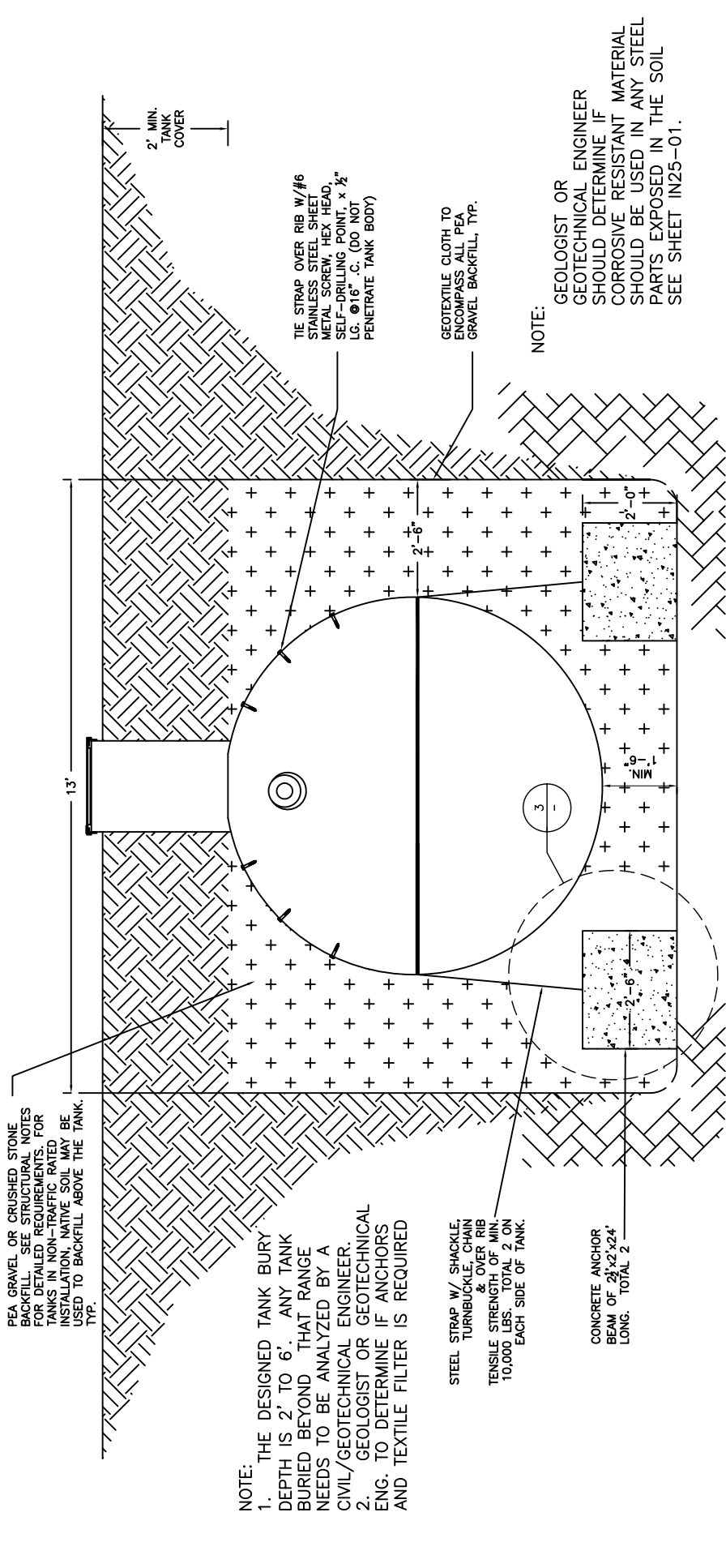


TANK INSTALLATION LAYOUT (ELEVATION VIEW)

SCALE: 1/8" = 1'-0"

NTS

1

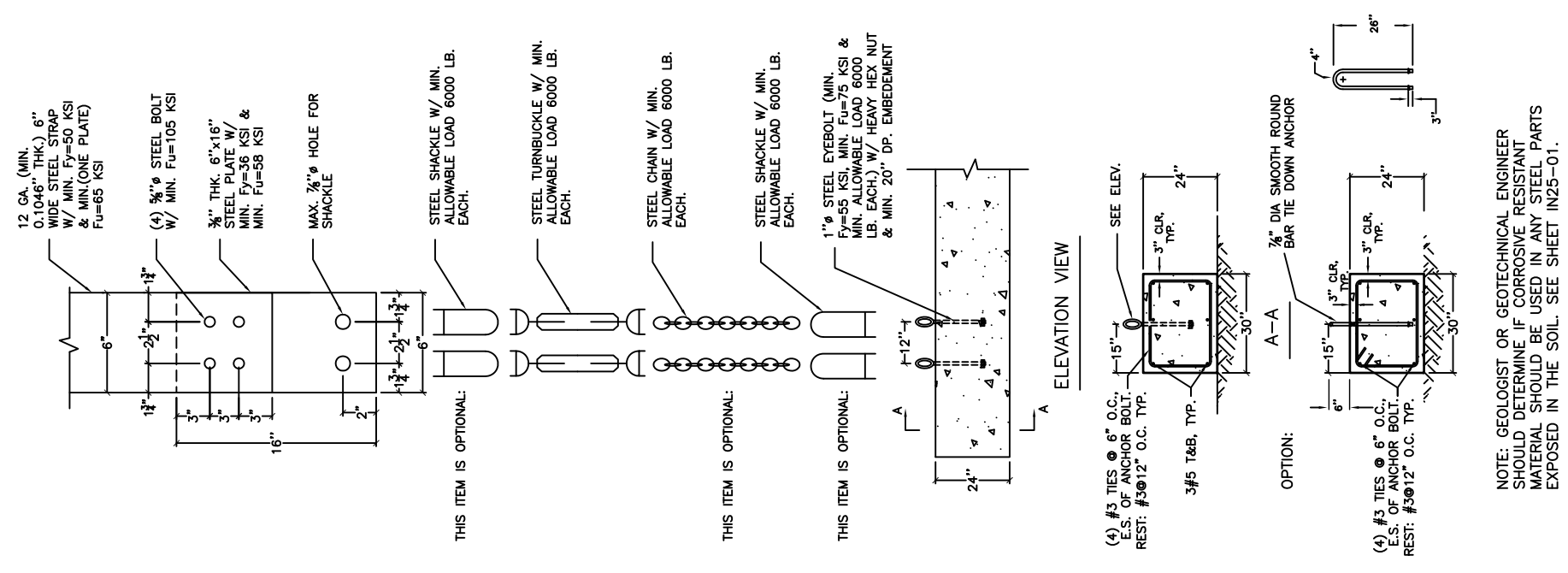


TANK INSTALLATION LAYOUT (TRANSVERSE VIEW)

SCALE: 1/8" = 1'-0"

NTS

2



ANCHOR DETAIL

SCALE: 1/8" = 1'-0"

NTS

3



Structural Engineer:

AQX
ENGINEERING INC.
1520 BROOKHOLLOW, SUITE 45
SANTA ANA, CA 92705
OFF. (714) 662-0510
FAX. (714) 662-0559
WWW.AQXENGINEERING.COM



ADVISES THIS SET OF PLANS FOR THE STRUCTURAL ELEMENTS OF THE CONCRETE SLAB AND CONCRETE ANCHOR BEAM. SEE MANUFACTURE SPECIFICATIONS FOR PROPERTIES AND STRENGTHS OF THE SEPTIC TANK AND ASSOCIATED PARTS.

DRAWN BY: EBY JOB NO. 2010-001 DATE: MARCH 15, 2010

REVIEWED BY: BMM

REVISION:	DATE:	DESCRIPTION:

SITE INFORMATION:

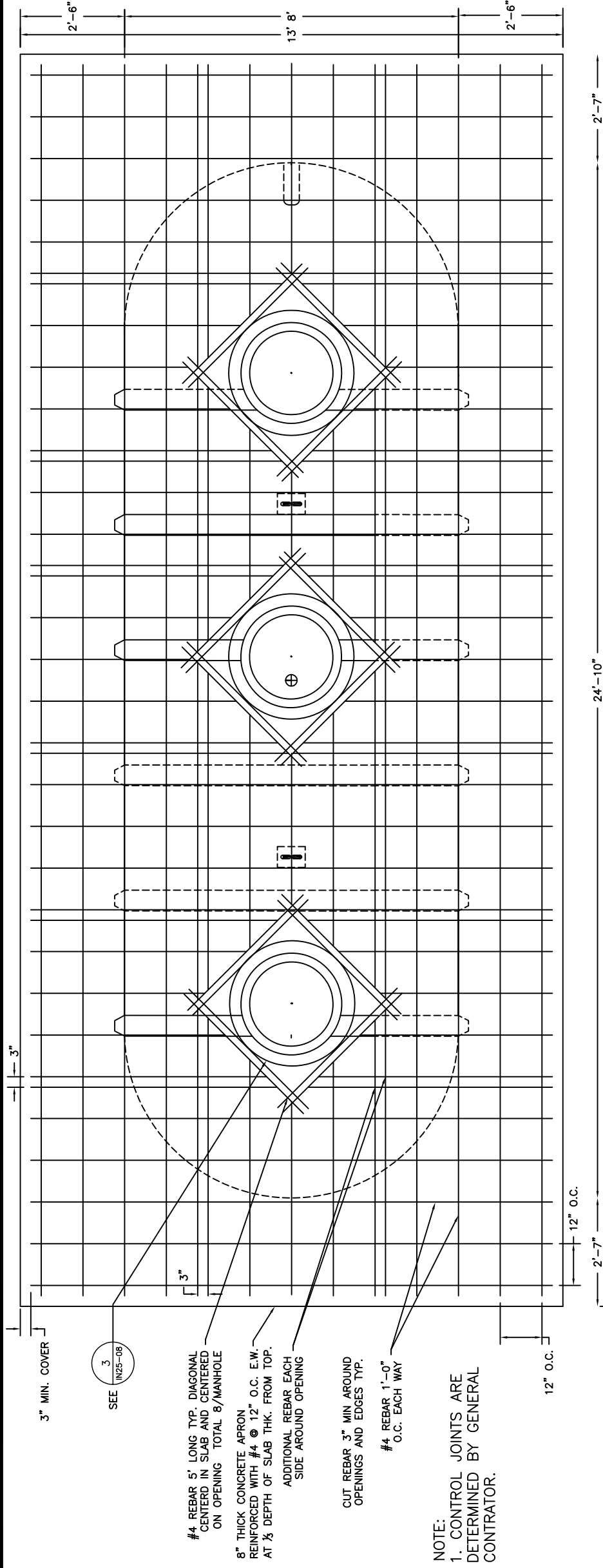
ES 25
SEPTIC TANK DESIGN

SHEET TITLE:

INSTALLATION DRAWING
SLAB ONLY

SHEET NUMBER:

IN25-05



#4 REBAR 5' LONG TYP. DIAGONAL
CENTERED IN SLAB AND CENTERED
ON OPENING TOTAL 8'/MANHOLE

8" THICK CONCRETE APRON
REINFORCED WITH #4 @ 12" O.C. E.W.
AT 1/2 DEPTH OF SLAB THK. FROM TOP.

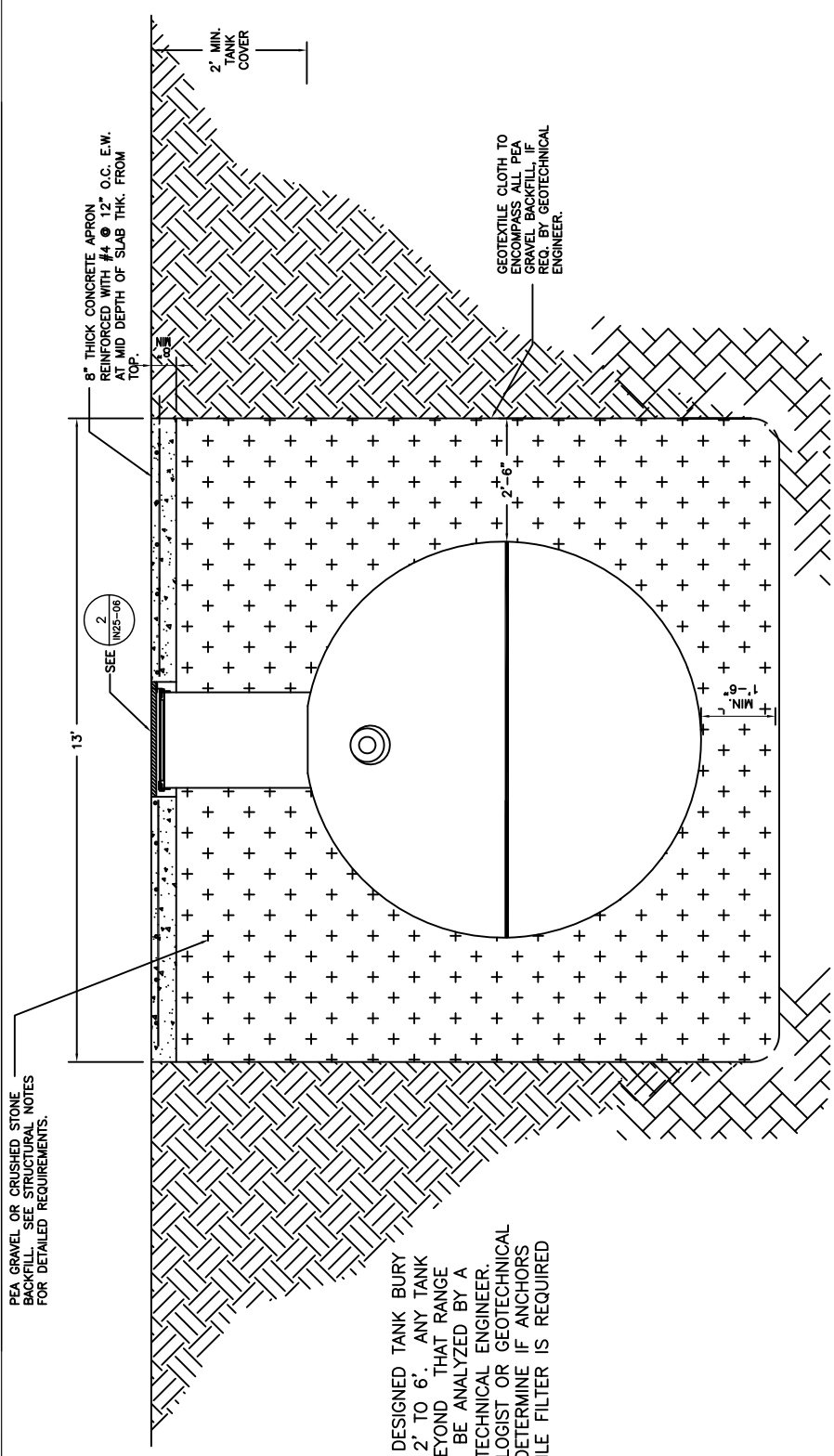
ADDITIONAL REBAR EACH
SIDE AROUND OPENING

CUT REBAR 3" MIN AROUND
OPENINGS AND EDGES TYP.

#4 REBAR 1'-0"
O.C. EACH WAY

NOTE:
1. CONTROL JOINTS ARE
DETERMINED BY GENERAL
CONTRACTOR.

TANK INSTALLATION LAYOUT (PLAN VIEW) SCALE: 1/8" = 1'-0"



PEA GRAVEL OR CRUSHED STONE
DEPTH AS SHOWN IN NOTES
FOR DETAILED REQUIREMENTS.

8" THICK CONCRETE APRON
REINFORCED WITH #4 @ 12" O.C. E.W.
AT MID DEPTH OF SLAB THK. FROM
TOP.

GEOTEXTILE CLOTH TO
ENCOMPASS ALL PEA
GRAVEL BACKFILL IF
REQ. BY GEOTECHNICAL
ENGINEER.

NOTE:
1. THE DESIGNED TANK BURY
DEPTH IS 2' TO 6'. ANY TANK
BURIED BEYOND THAT RANGE
NEEDS TO BE ANALYZED BY A
CIVIL/GEOTECHNICAL ENGINEER.
2. GEOLOGIST OR GEOTECHNICAL
ENG. TO DETERMINE IF ANCHORS
AND TEXTILE FILTER IS REQUIRED

TANK INSTALLATION LAYOUT (TRANSVERSE VIEW) SCALE: 1/8" = 1'-0"



Structural Engineer:

AQX
ENGINEERING INC.
 1520 BROOKHOLLOW, SUITE 45
 SANTA ANA, CA 92705
 OFF. (714) 662-0510
 FAX. (714) 662-0559
 WWW.AQXENGINEERING.COM



ADVISES THIS SET OF PLANS FOR THE STRUCTURAL ELEMENTS OF THE CONCRETE SLAB AND CONCRETE ANCHOR BEAM. SEE MANUFACTURE SPECIFICATIONS FOR PROPERTIES AND STRENGTHS OF THE SEPTIC TANK AND ASSOCIATED PARTS.

DRAWN BY: EBY JOB NO. 2010-001 DATE: MARCH 15, 2010

REVIEWED BY: BMM

REVISION:	DATE:	DESCRIPTION:

SITE INFORMATION:

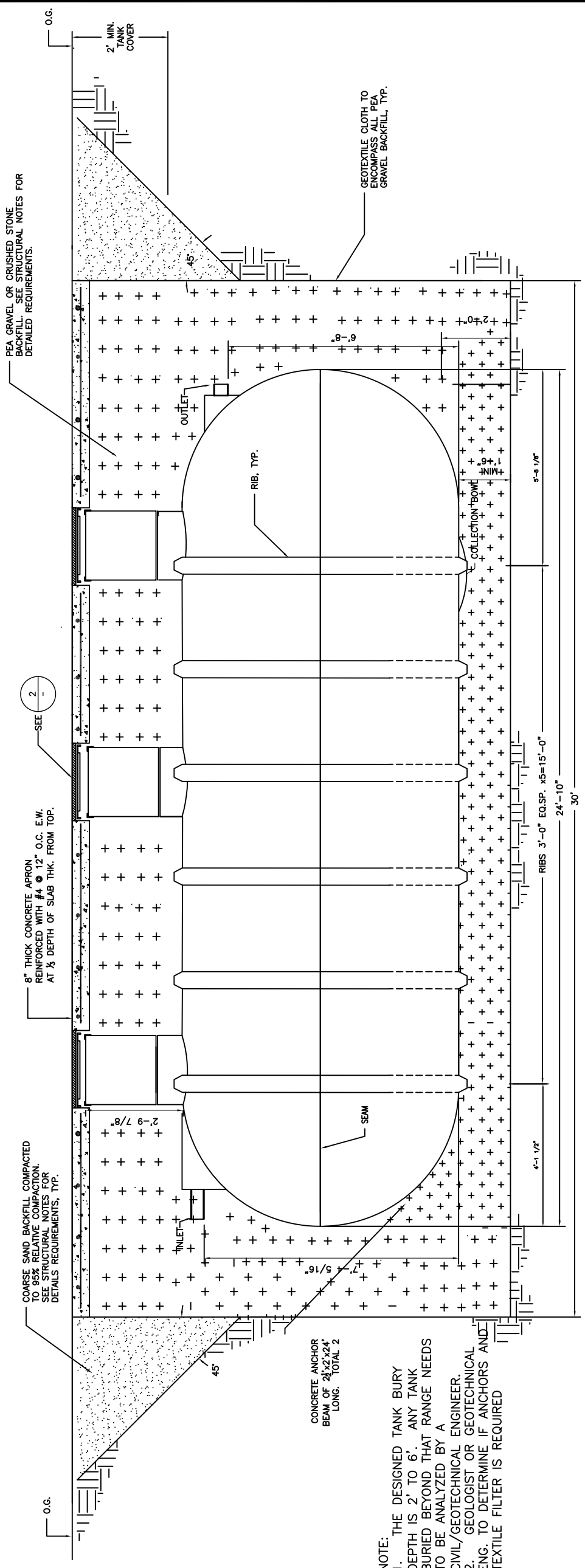
ES 25
SEPTIC TANK DESIGN

SHEET TITLE:

INSTALLATION DRAWING
SLAB AND ANCHORS (I)

SHEET NUMBER:

IN25-06

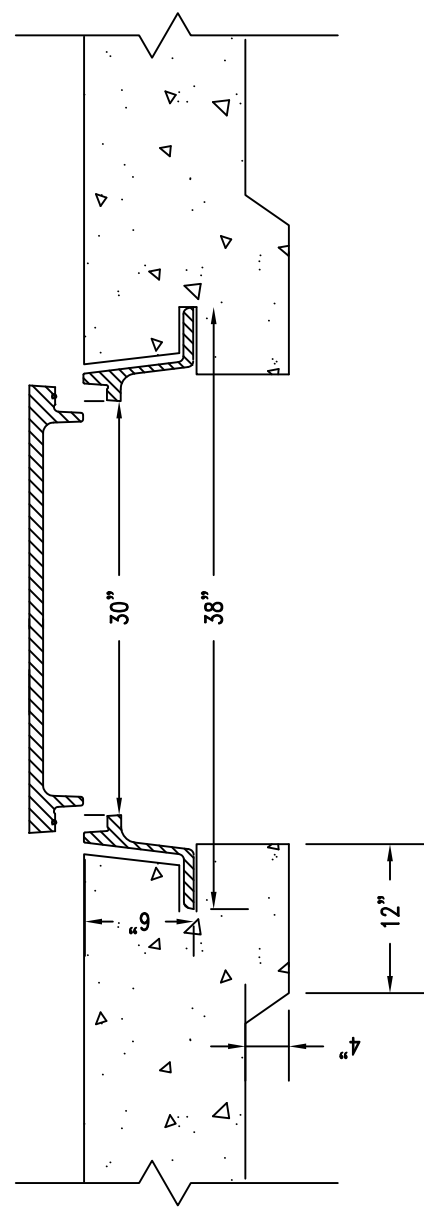


NOTE:
 1. THE DESIGNED TANK BURY DEPTH IS 2' TO 6'. ANY TANK BURIED BEYOND THAT RANGE NEEDS TO BE ANALYZED BY A CIVIL/GEOLOGICAL ENGINEER.
 2. GEOLOGIST OR GEOLOGICAL ENG. TO DETERMINE IF ANCHORS AND TEXTILE FILTER IS REQUIRED

TANK INSTALLATION LAYOUT (ELEVATION VIEW)

SCALE	1
NTS	

30" GAS TIGHT MANHOLE. CAST IRON FRAME AND COVER. H-20-RATED ALHAMBRA FOUNDRY A-1252B OR EQUAL



MANHOLE BASE & COVER

SCALE	2
NONE	



Structural Engineer:

AQX
ENGINEERING INC.
 1520 BROOKHOLLOW, SUITE 45
 SANTA ANA, CA 92705
 OFF. (714) 662-0510
 FAX. (714) 662-0559
 WWW.AQXENGINEERING.COM



ADV PREPARED THIS SET OF PLANS FOR THE STRUCTURAL ELEMENTS OF THE CONCRETE SLAB AND CONCRETE ANCHOR BEAM. SEE MANUFACTURE SPECIFICATIONS FOR PROPERTIES AND STRENGTHS OF THE SEPTIC TANK AND ASSOCIATED PARTS.

DRAWN BY: EBY JOB NO. 2010-001 DATE: MARCH 15, 2010
 REVIEWED BY: BMM

REVISION:	DATE:	DESCRIPTION:

SITE INFORMATION:

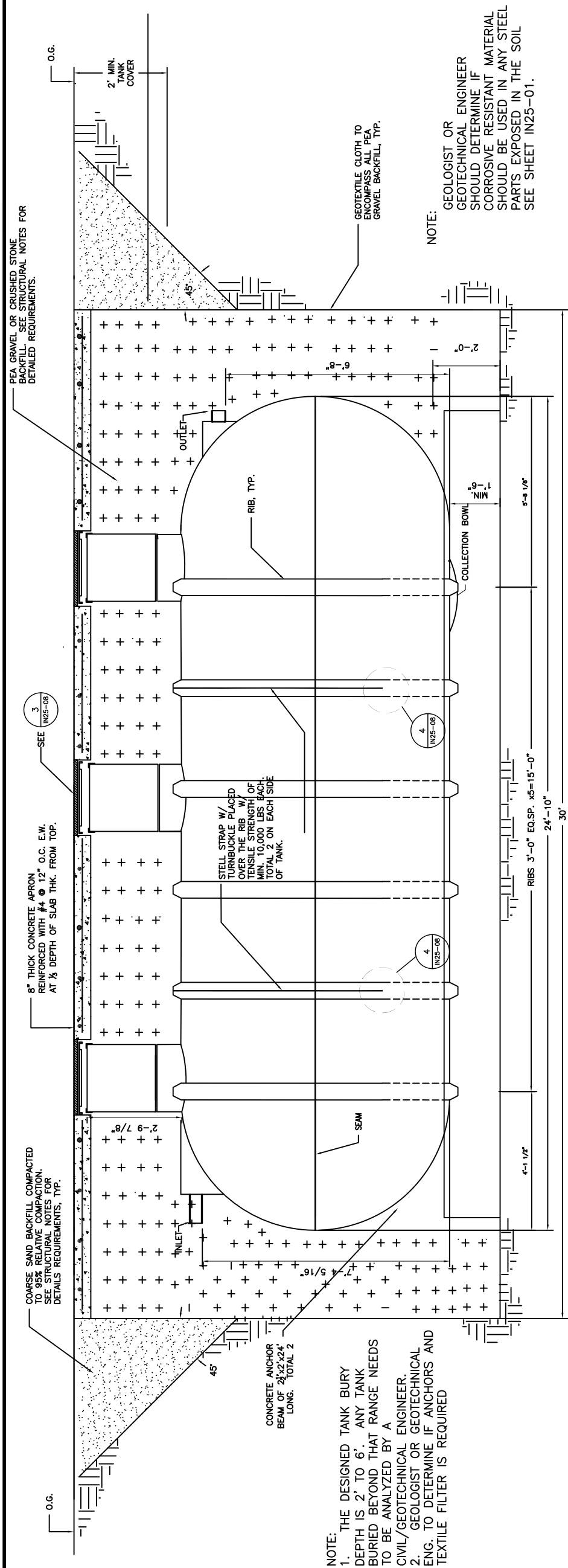
ES 25
SEPTIC TANK DESIGN

SHEET TITLE:

**INSTALLATION DRAWING
 SLAB AND ANCHORS (I)**

SHEET NUMBER:

IN25-07

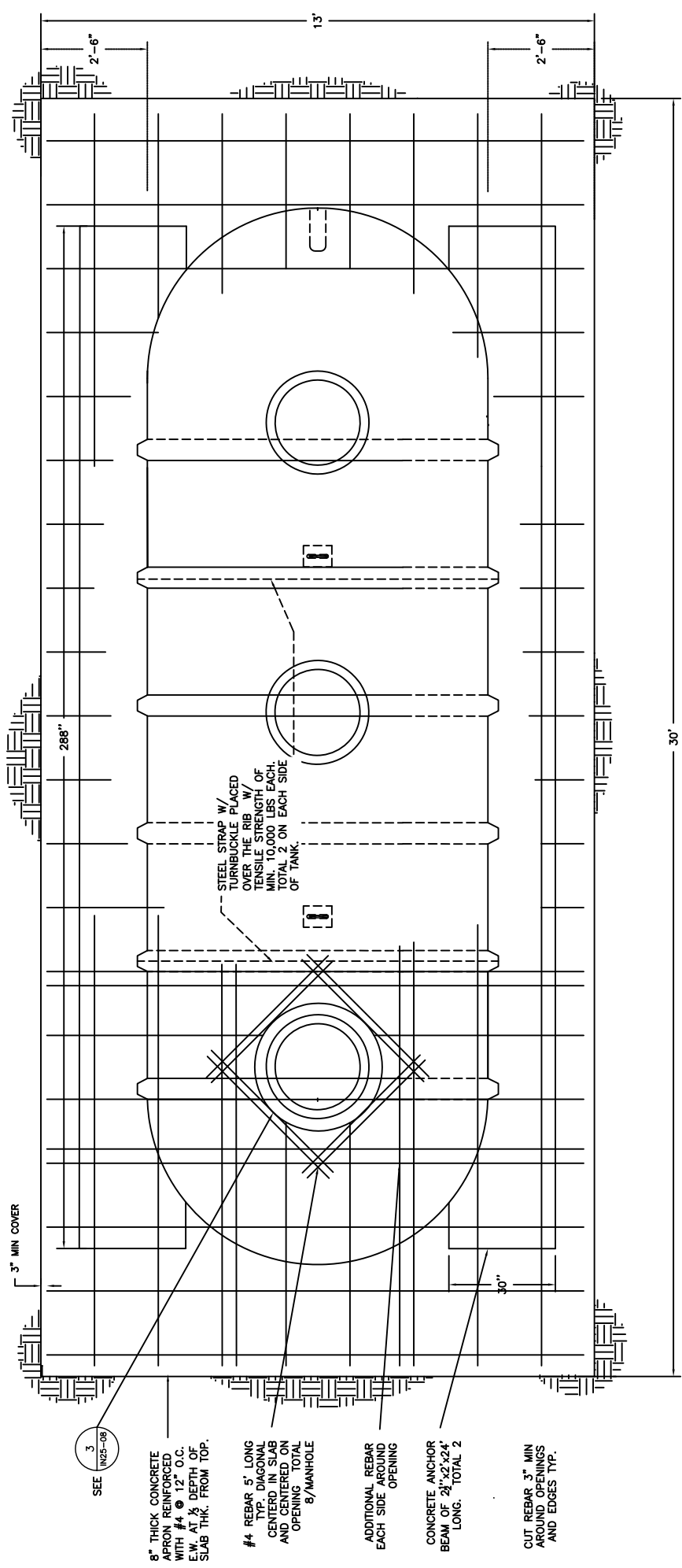


NOTE:
 1. THE DESIGNED TANK BURY DEPTH IS 2' TO 6'. ANY TANK BURIED BEYOND THAT RANGE NEEDS TO BE ANALYZED BY A CIVIL/GEOTECHNICAL ENGINEER.
 2. GEOLOGIST OR GEOTECHNICAL ENG. TO DETERMINE IF ANCHORS AND TEXTILE FILTER IS REQUIRED

NOTE:
 GEOLOGIST OR GEOTECHNICAL ENGINEER SHOULD DETERMINE IF CORROSIVE RESISTANT MATERIAL SHOULD BE USED IN ANY STEEL PARTS EXPOSED IN THE SOIL. SEE SHEET IN25-01.

SCALE	1
1:16	

TANK INSTALLATION LAYOUT (ELEVATION VIEW)



NOTE:
 1. GEOLOGIST OR GEOTECHNICAL ENGINEER SHOULD DETERMINE IF CORROSIVE RESISTANT MATERIAL SHOULD BE USED IN ANY STEEL PARTS EXPOSED IN THE SOIL. SEE SHEET IN25-01.
 2. CONTROL JOINTS SHOULD BE DETERMINED BY GENERAL CONTRACTOR.

SCALE	2
1:16	

TANK INSTALLATION LAYOUT (PLAN VIEW)



Structural Engineer:

AQX
ENGINEERING INC.
1520 BROOKHOLLOW, SUITE 45
SANTA ANA, CA 92705
OFF. (714) 662-0510
FAX. (714) 662-0559
WWW.AQXENGINEERING.COM



ADV PREPARED THIS SET OF PLANS FOR THE STRUCTURAL ELEMENTS OF THE CONCRETE SLAB AND CONCRETE ANCHOR BEAM. SEE MANUFACTURE SPECIFICATIONS FOR PROPERTIES AND STRENGTHS OF THE SEPTIC TANK AND ASSOCIATED PARTS.

DRAWN BY: EBY JOB NO. 2010-001 DATE: MARCH 15, 2010

REVIEWED BY: BMM

REVISION:	DATE:	DESCRIPTION:

SITE INFORMATION:

ES 25
SEPTIC TANK DESIGN

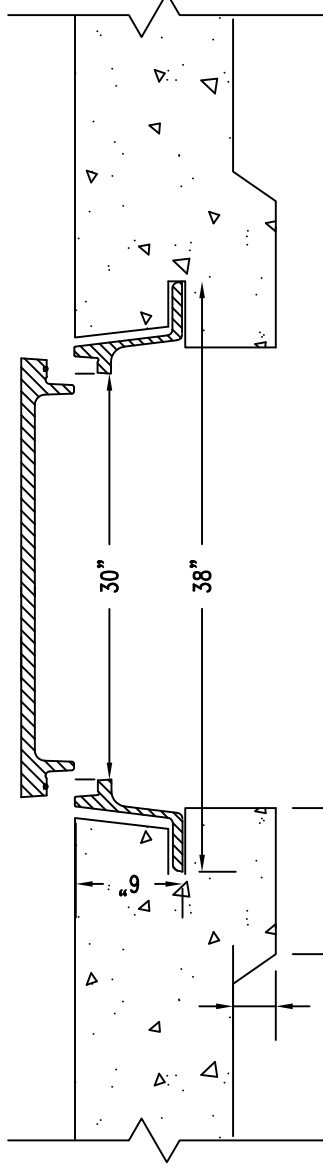
SHEET TITLE:

INSTALLATION DRAWING
SLAB AND ANCHORS (II)

SHEET NUMBER:

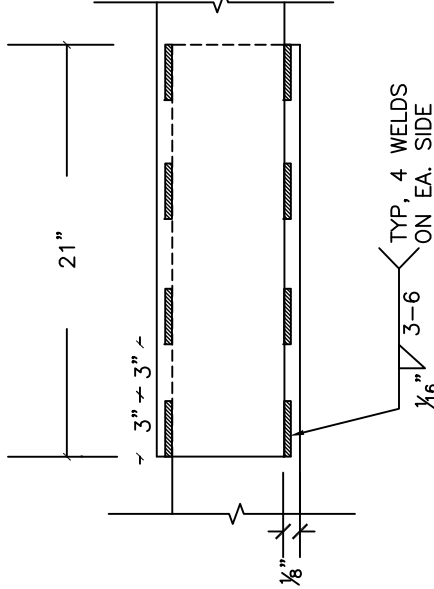
IN25-08

30" GAS TIGHT MANHOLE. CAST IRON FRAME AND COVER. H-20-RATED ALHAMBRA FOUNDRY A-1252B OR EQUAL



MANHOLE BASE & COVER

STRAP SPLICE DETAIL

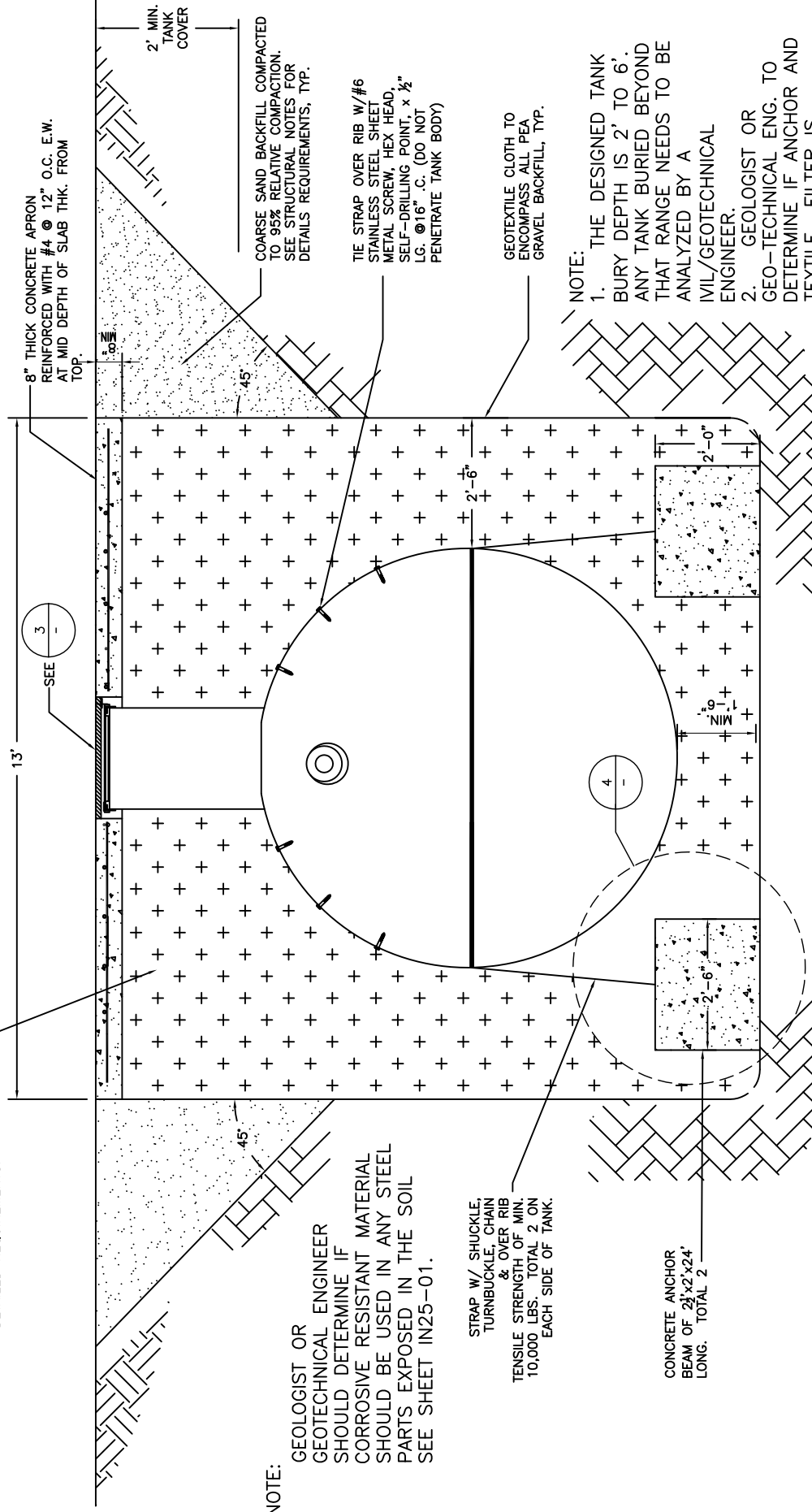


SCALE: NONE

SCALE: NONE

SCALE: NONE

PEA GRAVEL OR CRUSHED STONE BACKFILL. SEE STRUCTURAL NOTES FOR DETAILED REQUIREMENTS.



NOTE: GEOLOGIST OR GEOTECHNICAL ENGINEER SHOULD DETERMINE IF CORROSIVE RESISTANT MATERIAL SHOULD BE USED IN ANY STEEL PARTS EXPOSED IN THE SOIL. SEE SHEET IN25-01.

STRAP W/ SHUCKLE, TURNBUCKLE, CHAIN & OVER RIB TENSILE STRENGTH OF MIN. 10,000 LBS. TOTAL 2 ON EACH SIDE OF TANK.

CONCRETE ANCHOR BEAM OF 24"x24" LONG. TOTAL 2

NOTE:
1. THE DESIGNED TANK BURY DEPTH IS 2' TO 6'. ANY TANK BURIED BEYOND THAT RANGE NEEDS TO BE ANALYZED BY A CIVIL/GEOTECHNICAL ENGINEER.
2. GEOLOGIST OR GEO-TECHNICAL ENG. TO DETERMINE IF ANCHOR AND TEXTILE FILTER IS REQUIRED

12 GA. (MIN. 0.1046" THK.) 6" WIDE STEEL STRAP W/ MIN. F_y=50 KSI & MIN. (ONE PLATE) F_u=65 KSI

(4) 5/8" STEEL BOLT W/ MIN. F_u=105 KSI

3/8" THK. 6"x16" STEEL PLATE W/ MIN. F_y=36 KSI & MIN. F_u=58 KSI

MAX. 7/8" HOLE FOR SHACKLE

STEEL SHACKLE W/ MIN. ALLOWABLE LOAD 6000 LB. EACH.

STEEL TURNBUCKLE W/ MIN. ALLOWABLE LOAD 6000 LB. EACH.

STEEL CHAIN W/ MIN. ALLOWABLE LOAD 6000 LB. EACH.

STEEL SHACKLE W/ MIN. ALLOWABLE LOAD 6000 LB. EACH.

1" STEEL EYEBOLT (MIN. F_y=55 KSI, MIN. F_u=75 KSI & MIN. ALLOWABLE LOAD 6000 LB. EACH.) W/ HEAVY HEX NUT & MIN. 20" DP. EMBEDMENT

(4) #3 TIES @ 6" O.C. E.S. OF ANCHOR BOLT. REST: #5@12" O.C. TYP.

OPTION: 3/8" DIA SMOOTH ROUND BAR TIE DOWN ANCHOR

(4) #3 TIES @ 6" O.C. E.S. OF ANCHOR BOLT. REST: #3@12" O.C. TYP.

NOTE: GEOLOGIST OR GEOTECHNICAL ENGINEER SHOULD DETERMINE IF CORROSIVE RESISTANT MATERIAL SHOULD BE USED IN ANY STEEL PARTS EXPOSED IN THE SOIL. SEE SHEET IN25-01.

ANCHOR DETAIL

TANK INSTALLATION LAYOUT (TRANSVERSE VIEW)

SCALE: NTS

SCALE: 1

SCALE: 1316

SCALE: 1